



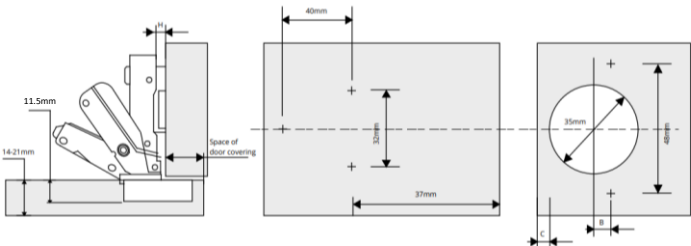
# TECHNICAL SPECIFICATION

## FURNITURE FITTINGS

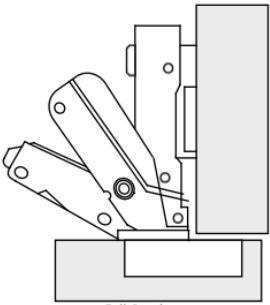
### Hinges

**Product Code**  
LICH165

**Specification**  
 Built in Soft Closing feature  
 Type of installation: Slide on  
 Suitable for door thickness 14-21mm  
 Degree opening angle: 165°  
 Diameter of cup: 35mm  
 Depth of hinge cup: 11.5mm  
 Material: Cold rolled steel  
 Finish: Nickel Plated

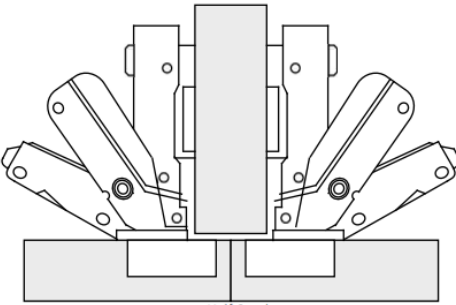


LICH165A



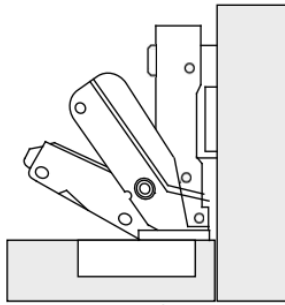
H	S	C	3	4	5	6	7
H=0			16	17	18	19	20
H=3			13	14	15	16	17
H=5			10	11	12	13	14

LICH165B



H	S	C	3	4	5	6	7
H=0			7	8	9	10	11
H=0			7	8	9	10	11
H=5			1	2	3	4	5

LICH165C



H	S	C	3	4	5	6	7
H=0			-2.5	-1.5	-0.5	0.5	1.5